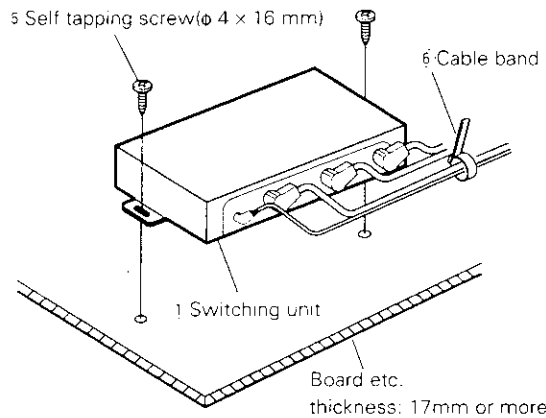


The CD/MD changer switching unit can be used to control up to two disc changers when it is connected to the center unit that has the disc changer control function.

- **Components**
- | | | | |
|--------------------------------------|---|----------------------------------------|---|
| ① Switching unit..... | 1 | ④ Magic tape..... | 2 |
| ② Controller (cord length: 5 m)..... | 1 | ⑤ Self-tapping screw(φ 4 × 16 mm)..... | 2 |
| ③ Connection cable (2 m)..... | 1 | ⑥ Cable band..... | 1 |
| | | ⑦ Double-sided adhesive tape..... | 1 |

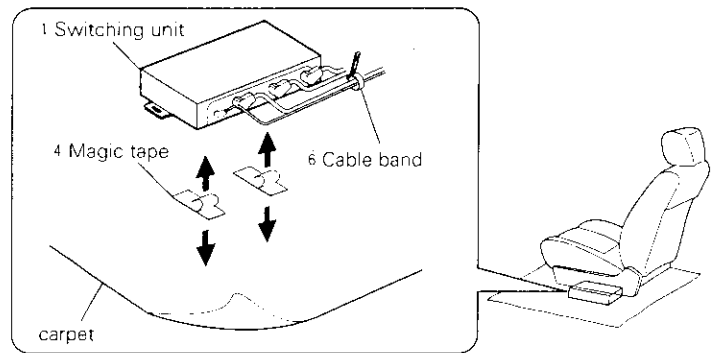
Installation

■ Installing the switching unit with a board in the trunk space



1. Install the switching unit with self-tapping screws (5) (φ 4 × 16 mm).
2. Bind the cables with cable band (6).

■ Installing the switching unit on the carpet under a seat

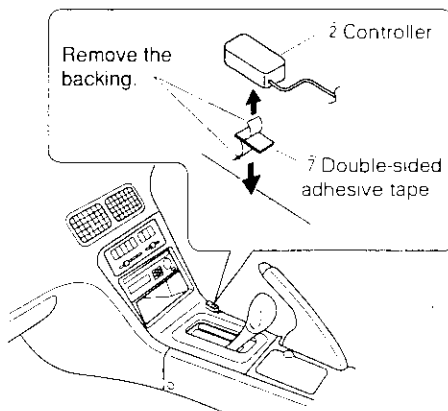


1. Remove the backing from the magic tape (4) and attach it to the bottom of the switching unit (1). Install the switching unit on the carpet.
2. Bind the cables with cable band (6).

▲ CAUTION

- Install the switching unit (1) in places that do not obstruct driving.
- Install the switching unit (1) in places where it is not touched by the tip of the shoes of a rear seat passenger.
- Do not install the unit in places where it is exposed to direct sunlight, high heat, or where water may splash over it.
- Do not place anything on top of the switching unit (1).

■ Installing the controller

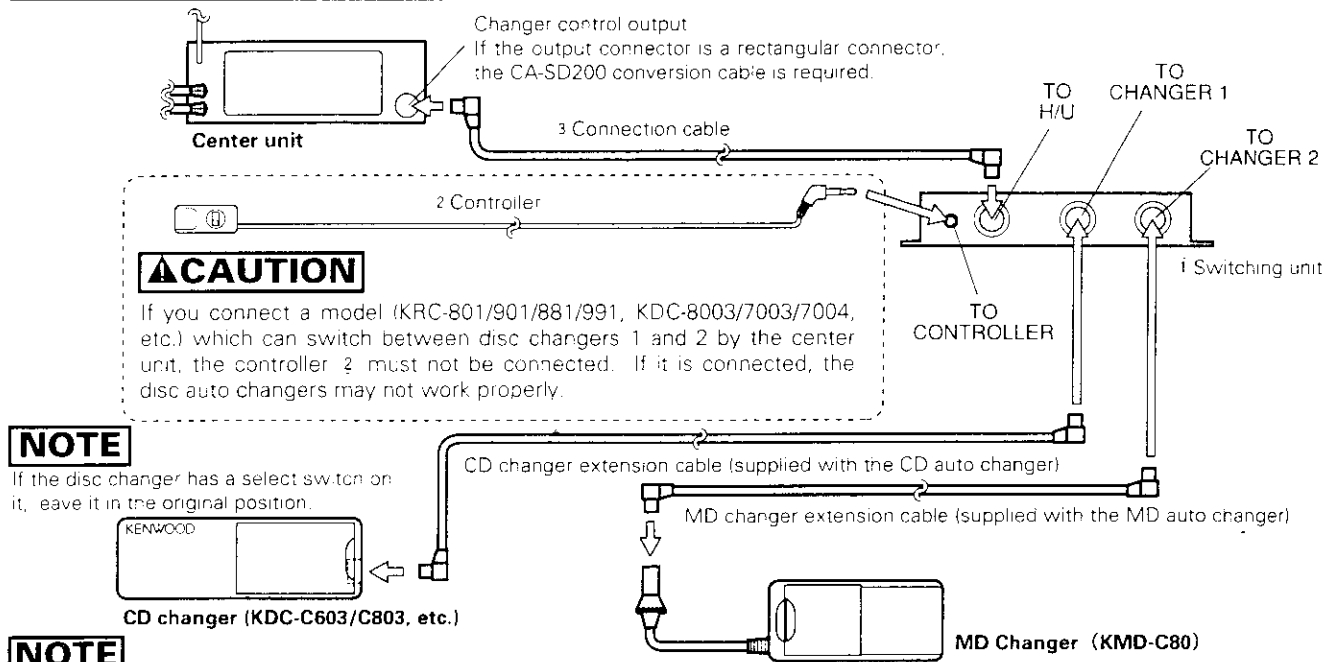


1. Wipe off the installation location with a cleaning cloth.

▲ CAUTION

- Install the controller (2) on a flat surface. If it is installed on a curved surface, the tape adhesion may weaken and the controller may come off.
 - Do not install the controller (2) in places (such as on the dashboard) where it is exposed to direct sunlight and the temperature becomes high. Otherwise, the controller (2) will become deformed and unusable.
 - Install the controller (2) in places that do not obstruct driving. Install the controller (2) temporarily and verify that the handle, shift knob, and side brake can be operated smoothly.
2. Secure the controller (2) in the specified place with the double-sided adhesive tape (7).

Connection



- The figure shows that one CD auto changer and one MD auto changer are connected. Two CD auto changers or two MD auto changers may be connected.
- If you wish to adjust the cable length in accordance with the installation location of the switching unit, such as in the trunk space, the CD changer extension cable may be used instead of the connection cable ③.

Switching between disc auto changers

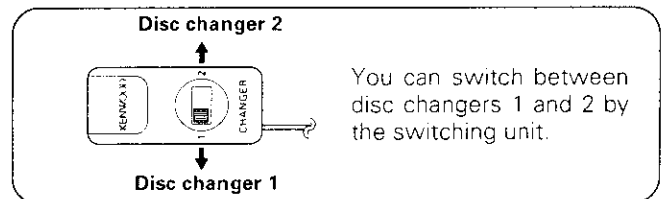
■ If you can switch disc auto changers 1 and 2 by the center unit: (KRC-801/901/881/991, KDC-8003/7003/7004, etc.)

- Each time the SRC button on the center unit is pressed, the disc auto changer mode changes between disc changer modes 1 and 2. When the desired disc changer number is selected, playing starts.



■ Other center units

- Select the disc changer to be controlled with the controller ②. When the disc changer mode is selected with the SRC button (or CD button), playing begins.



CAUTION

- You cannot change the disc-changer number while a disc changer is playing. To change the disc-changer number, press the SRC button (or CD button) to stop playing, then change the disc-changer number with the controller ②. Select the disc changer mode with the SRC button (or CD button).
- When the disc-changer number is changed and play begins, the disc-changer number data before it was switched may be shown temporarily on the display of the center unit.

IMPORTANT INFORMATION

This unit is NOT designed to be connected directly to a CD changer that was manufactured and sold before 1994. If you plan to use such units, please read the following information carefully.

- To control KDC-C200 / KDC-C300 / KDC-C400
A CA-DS100 (sold separately as an optional accessory), along with the control box and extension cord supplied with the CD changer, are required.
- To control KDC-C301 / KDC-C600 / KDC-C800 / KDC-C601 / KDC-C401
A CA-DS100 (sold separately as an optional accessory), along with the extension cord supplied with the CD changer, are required.
- KDC-C100 / KDC-C302 / C205 / C705 and CD changer Manufactured by Other Companies are not compatible with this Kenwood model.

FAILURE TO FOLLOW THESE INSTRUCTIONS MAY RESULT IN DAMAGE TO THIS UNIT AND/OR THE CD CHANGER